



**REQUEST FOR QUOTATION (RFQ) FOR PROCUREMENT OF CONSTRUCTION OF FOUNDATION PAD FOR VIE TANK**

RFQ Ref. # 01-010421R001-APRIL-2021

Dear Concern,

Pakistan Kidney and Liver Institute & Research Center is a public hospital that specializes in Liver and Kidney transplants, serving the masses with state-of-the-art facility while giving financial assistance to the deserving patients.

For following demand in our institute, please share quotation with best possible rates by 24th-April-2021 not later than 03:00 pm.

S. No	Item Description	Qty
1.	CONSTRUCTION OF FOUNDATION PAD FOR VIE TANK AS PER DRAWING OR APPROVED BY ENGINEER	1

**Terms & Conditions:**

1. Quotations are required only from sales tax registered firms.
2. PKLI is exempt from GST/PST.
3. Quotation should be printed on company letter head and duly signed & stamped.
4. Brand should be mentioned against each item.
5. Original sealed quotation must be delivered in Mail Section of PKLI by 24<sup>th</sup>-April-2021 not later than 3pm. **(Quotation will not be entertained through email)**
6. Completion is required within 8 days after issuance of Purchase Order.
7. In case of any/further clarification please contact.
8. Samples will be required on demand by Project Department PKLI (If any).
9. For any technical inquiry/assistant please contact Mr. Ali Imran 0313-7600626.
10. Quantity may be increase or decrease within approved budget.

Looking forward to your prompt response.

**Address:**

**HOD Procurement**

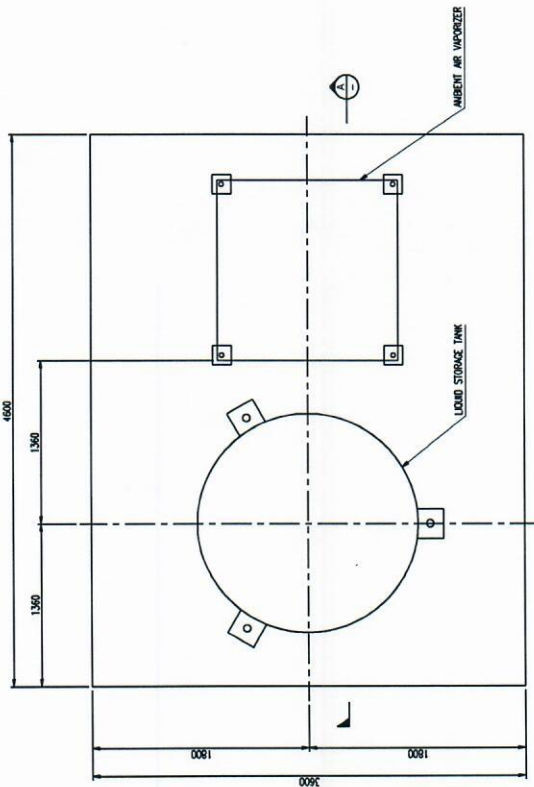
Pakistan Kidney and Liver Hospital & Research Center  
Package A, 1st Floor, One PKLI Avenue, Opposite DHA Phase-6, Knowledge City,  
Lahore. Tel: 92-42-111-117-554, Mobile # 0334-9953522



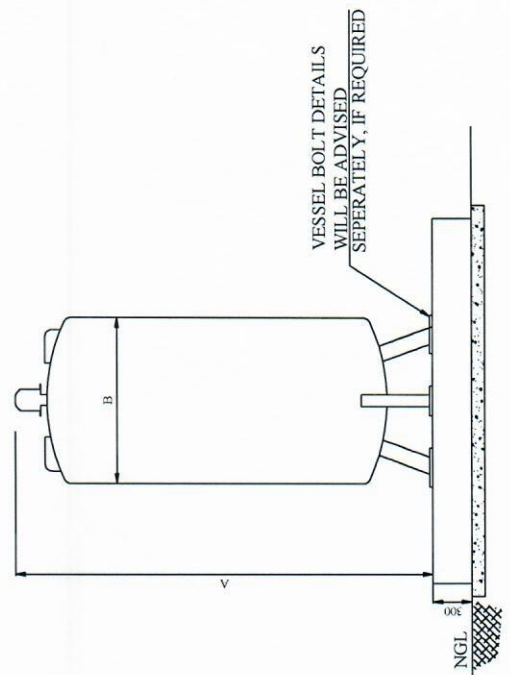
*Handwritten signature and date: 20/4/2021*

### **Safety Requirements for Installation of Bulk Oxygen Tank**

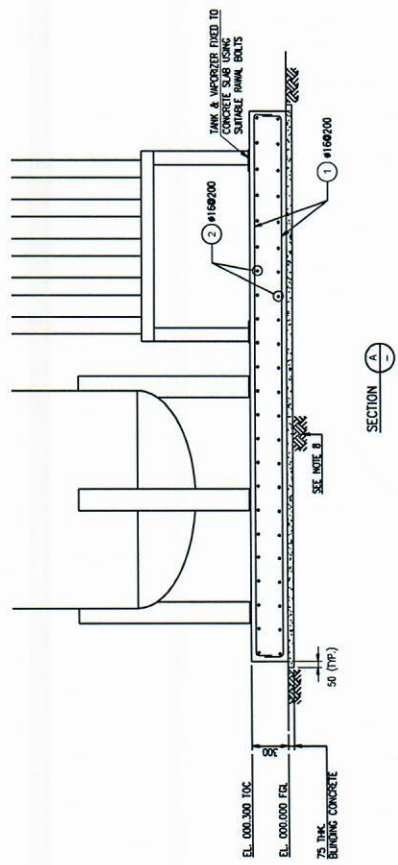
1. Safety fence around tank foundation to restrict unauthorized access.
2. Earth pit near tank foundation for earthing of oxygen storage tank. Earth cable: single core 25 sq. mm. from earth pit to oxygen tank foundation. Earth resistance must be less than 3 Ohms for equipment with low voltage and less than 1 Ohms for equipment with high voltage (Pumps).
3. Concrete spill apron near tank foundation as per drawing. (LOX Only)
4. Light for night time deliveries and maintenance.
5. Water supply near oxygen tank for de-icing of valves or to handle emergency situations.
6. Electric power supply 3-phase near oxygen tank for maintenance activities.
7. Wiring for telemetry unit. 3 -core cable with 230 V, 0.7 Amp power supply. Cable diameter of 8 - 10 mm is recommended
8. Suitable location for installation of alarm panels. (For HC only)
9. Wiring from alarm panels to oxygen tank foundation. Alarm cable: 10 core shielded cable, each core 1.5 Sq. mm. (For HC only)



PLAN



ELEVATION





ØB



A

OUTWARD OPENING  
DOUBLE GATE 2010mm  
CENTERED ON TANK

EMERGENCY EXIT GATE  
MIN 800mm WIDE



FENCE REQUIRED WHEN EXPOSED  
TO UNAUTHORISED ACCESS

TYPICAL VAPORIZOR  
PAD CONFIGURATION



D

E

HARDSTANDING AREA  
3500mm X 4500mm

C