



REQUEST FOR QUOTATION (RFQ) FOR CAFETERIA RAILING

RFQ Ref. # 01-290721R006-JULY-2021

Dear Concern,

Pakistan Kidney and Liver Institute & Research Center is a public hospital that specializes in Liver and Kidney transplants, serving the masses with state-of-the-art facility while giving financial assistance to the deserving patients.

For following demand in our institute, please share quotation with best possible rates by 6th-September- 2021 not later than 03:30 pm.

Sr. #	Description	Unit	Qty	Rate	Amount
1	Providing, Fabricating & Installation of 3 Inch Dia SS Railing on Floor including 6" Dia base plate 6mm thick bolt with rowal bolts with cover/end caps, complete in all respects as per drawing, specifications or approved by the engineer.	Rft	120		

Terms & Conditions:

Quotations are required only from sales tax registered firms.

1. PKLI is exempt from GST/PST.
2. The quotation should be printed on company letterhead and duly signed & stamped.
3. The quotation is evaluated on a composite rate basis.
4. Only one brand must be quoted otherwise quotation will be rejected.
5. Brand should be mentioned against each item.
6. Original sealed quotation must be delivered in the Mail Section of PKLI by 6th-September-2021 not later than 03:30 pm. **(Quotation will not be entertained through email)**
7. Completion is required within 15 days after issuance of Purchase Order.
8. In case of any/further clarification please contact.
9. Samples will be required on demand by FM Department PKLI (If any).
10. For any technical inquiry/assistant please contact Mr. Ali (0303-7600626).
11. Quantity may be increased or decreased within the approved budget.

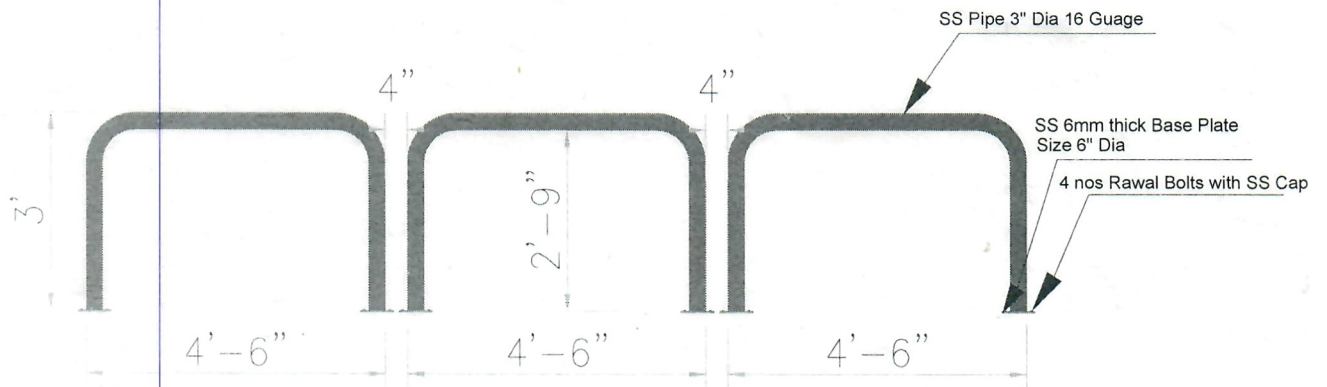
Looking forward to your prompt response.

Address:

HOD Procurement

Pakistan Kidney and Liver Hospital & Research Center
Package A, 1st Floor, One PKLI Avenue, Opposite DHA Phase-6, Knowledge City,
Lahore. Tel: 92-42-111-117-554, Mobile # 0334-9953522





Typical Cafeteria SS Railing Design

